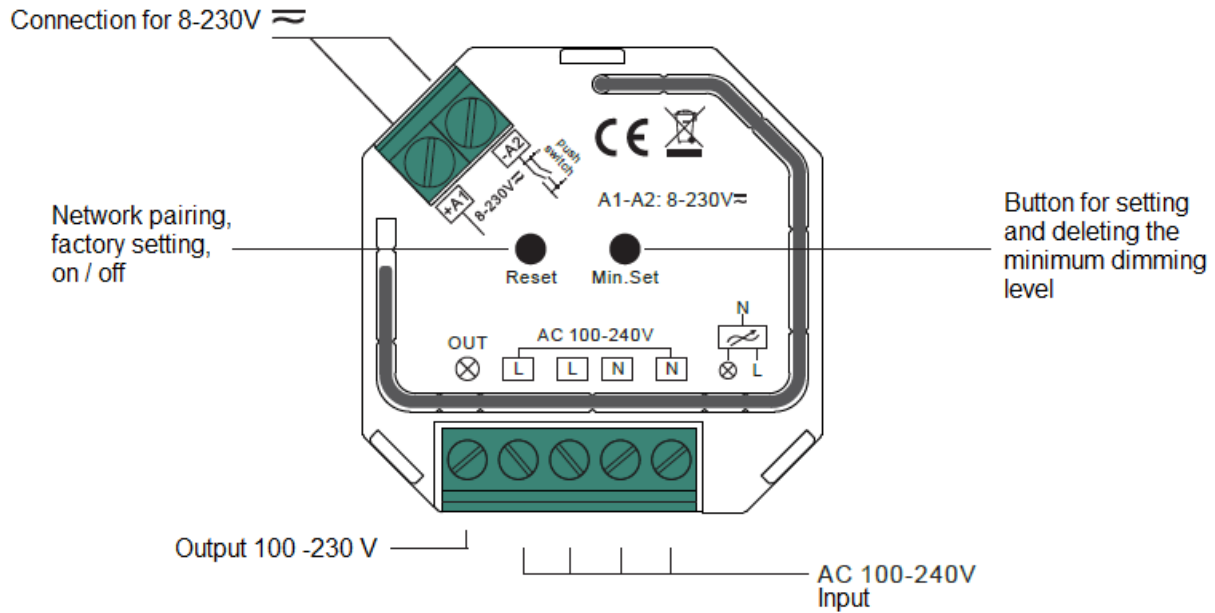


Connections and functional description



Compatible load types:

Symbol	Typ	Maximale Last	Anmerkungen
	Dimmable LED lamps	200W @ 220V	Due to the variety of LED lamp designs, the maximum number of LED lamps when connected to the dimmer additionally depends on the power factor.
	Dimmable LED Driver	200W @ 220V	The maximum permissible number of drivers is 200 W divided by the number of drivers indicated on the nameplate of the driver specified on the nameplate of the driver.
	Incandescent lamps, HV halogen lamps	400W @ 220V	

	<p>Low voltage Halogen lighting with electronic transformers</p>	<p>200W @ 220V</p>	
---	--	--------------------	--

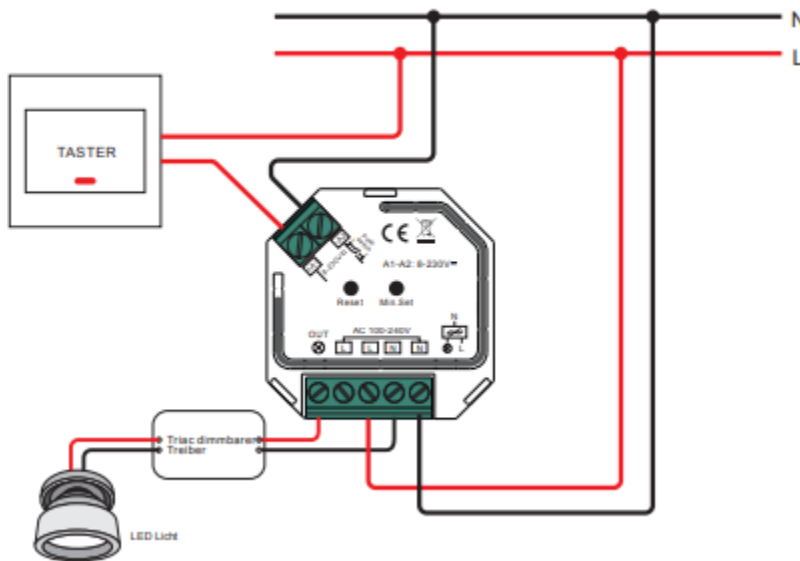
Safety warning for mains operated devices

CAUTION: Only authorized qualified personnel may carry out work with mains voltage, taking into account the country-specific installation guidelines/standards. Before mounting the product, the voltage mains must be switched off and secured against being switched on again.

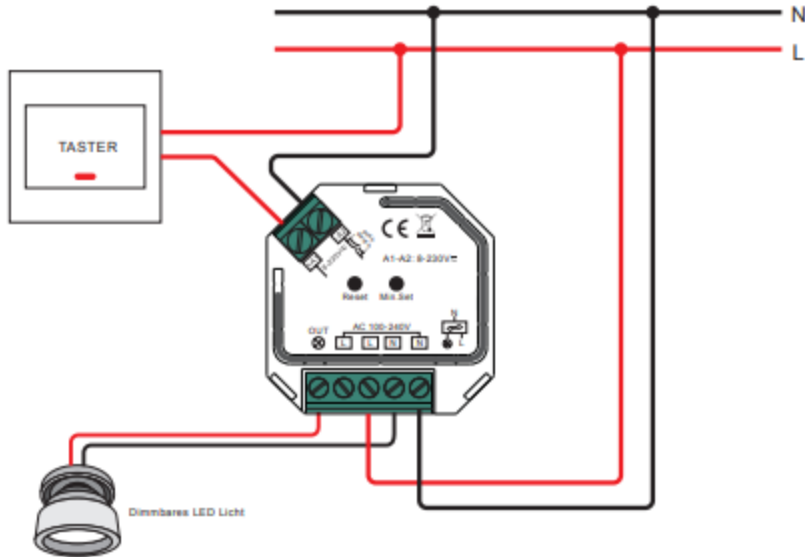
Connection examples:

- Wire the dimmer as described in the wiring diagram.

With TRIAC dimmable LED driver



With dimmable LED light



Join to network

1. Remove the device from the previous ZigBee network if it has already been added, otherwise pairing will fail. Please read the part "Reset to factory settings".
2. From your ZigBee controller or hub gateway, select a lighting device you want to add and enter pairing mode as instructed by the controller.
3. Power on the device again to put it into network pairing mode (connected light blinks twice slowly), 15 seconds timeout, repeat the process.
4. Connected light flashes 5 times and then stays on permanently, then the device appears in the menu of your gateway and can be controlled via the gateway.

Settings

Set minimum brightness

- Set the brightness to a desired value via the Zigbee hub, controller interface or remote control, then press and hold "Min.Set" button until the connected light flashes, the minimum dimming level has been set successfully. Now the connected load can only be dimmed between this minimum brightness and 100% brightness.
- The dimming range of this dimmer is 1%-100%, but some types of loads may flicker when dimmed to 1%, so a minimum brightness higher than 1% should be set to avoid flickering during the dimming process.

Delete minimum brightness

- Set the brightness from a Zigbee hub or controller interface or remote control to 100%, then press and hold the "Min Set" button on the dimmer until the connected light flashes, which means the minimum brightness is successfully cleared.

Removing from a network

- From your ZigBee controller or hub gateway, select whether you want to clear or reset the lighting fixture as instructed. The connected lighting fixture will flash 3 times to indicate a successful reset

Reset to factory setting

Notice:

- If the device is already in the factory setting, there is no display when the device is reset to the factory setting again
 - All configuration parameters are reset after the device is reset or removed from the network.
1. Press the "Reset" key 5 times briefly or switch the device on again 5 times if the "Reset" key is not accessible.

Specifications:

Input voltage: 100-240 V AC

Total output current maximum: 1,5 A

Maximum power: 400 Watt Halogen / 200 Watt LED

Operating temperature: -20°C to 60°C

Phase control: trailing edge

Protection class: IP20

Connection: 2-pole

Power consumption: 0.00 Watt

Technologie: Zigbee 3.0

Dimensions

- Wide: 45 mm
- Length: 45,5 mm
- Height: 20,3 mm

Types:

- LEDZ9106 for pushbutton
- LEDZ9106S for switch